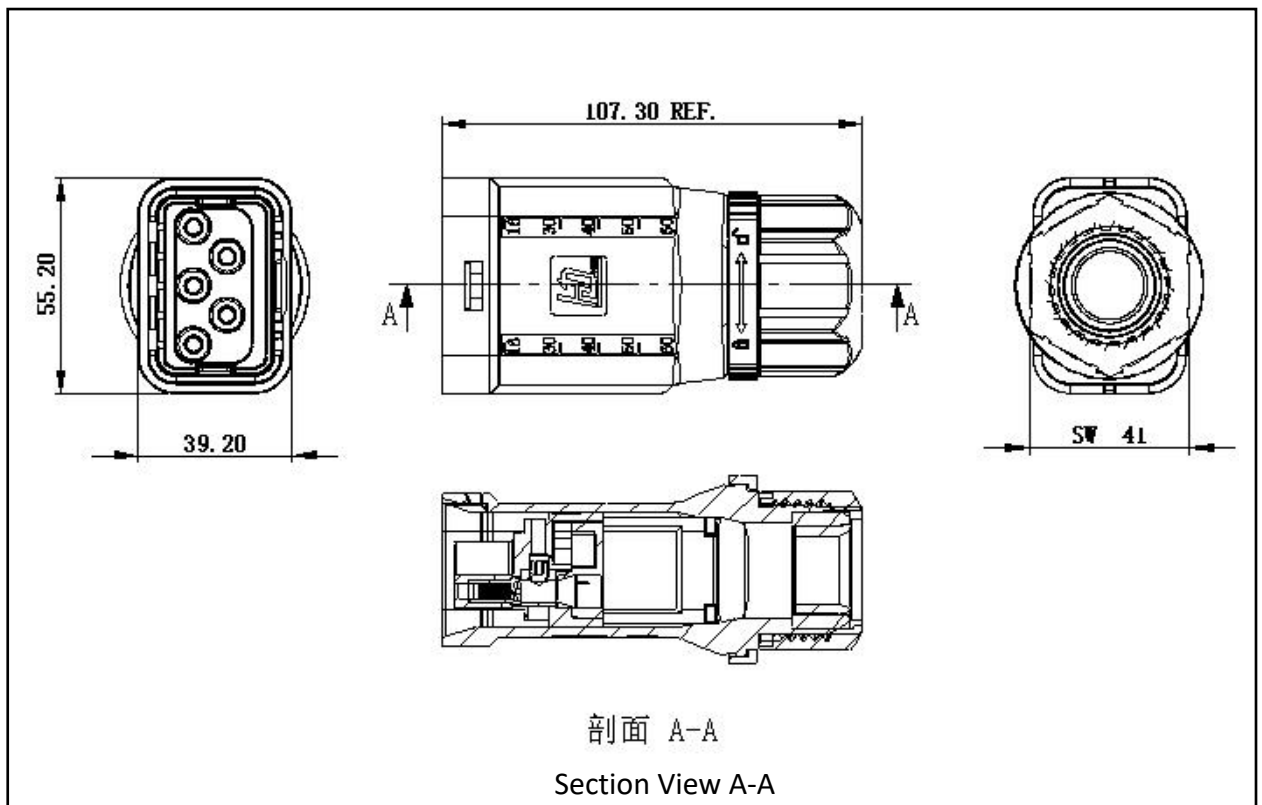


## Product Description



## Technical Data

### Electrical Specification

Rated Voltage (III/2)	1000V AC
Rated Impulse Voltage (III/2)	8KV
Rated Current	65A
Insulation Resistance	≥500MΩ
Contact Resistance	≤5mΩ
Rated Electrical Parameter	(III / 2) Overvoltage category / III Pullation Class

### Mechanical Specification

Mating Cycle	200 Cycle Max.
PIN Retention Force	≥80N
Cable Retention Force	≥120N
Wire Size	MAX10 mm <sup>2</sup> (Soft Wires) , MAX16mm <sup>2</sup> (Hard Wires) ;
Wire diameter	≤24mm
Unlock mode	Tool Unlock
Connector Retention Force	> 80N
Connector Pull-Out Force	< 50N

### Enviromental Specification

Waterproof Rate	IP68 (1m 2H)
Application Temperature	-40 °C~+85°C
Flamming Level	UL94-V0

### Material

Plastic Material	PC&PBT (f1)
Pin Material	Copper Alloy,Silver Plating
Sealing Material	Sillicone Rubber
Screw Material	SUS

## Certification/Certificate

TUV certification



Certification  
TÜV Rheinland

Reference Standard  
EN61984:2009

Certification No.  
R50500824

## Installation Tool



T8 Torx Screwdriver



2.5 Allen Screwdriver



Insulated Terminals' Riveting Plier



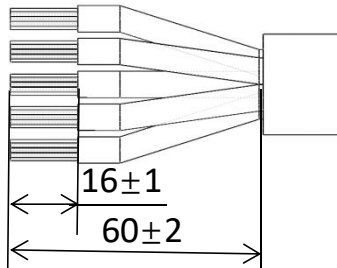
Wire Stripper



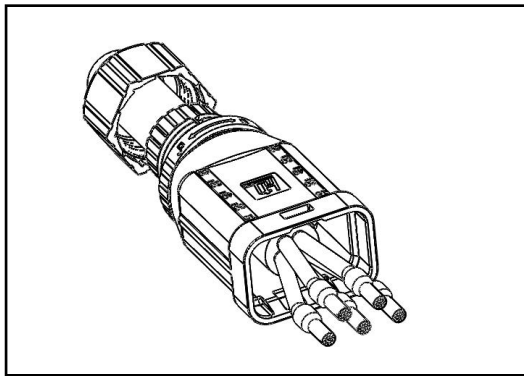
41 Open-ended Wrench

## Installation Instruction

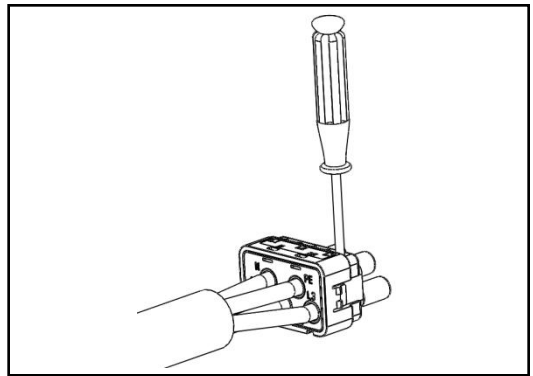
Dimension of stripping wire outside machine



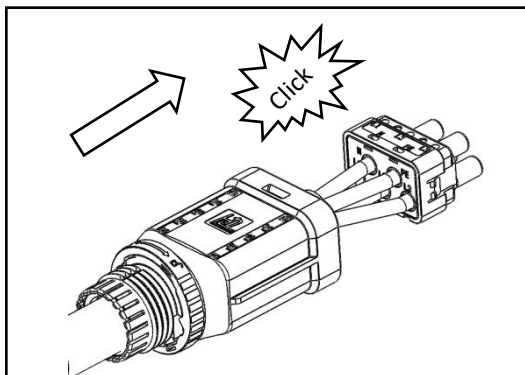
### Installation Steps



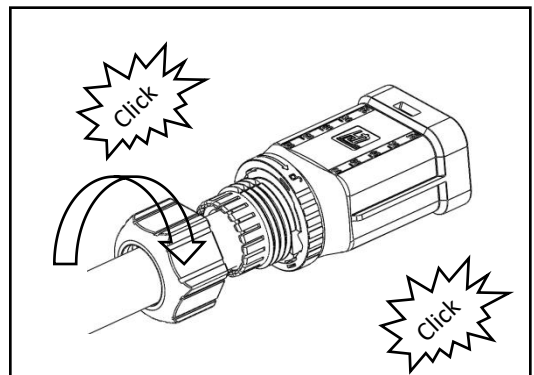
1. The stripped wires need to be riveted to the insulated terminals, and after then, thread them into the wire-locking nut and connector mainbody in turn.



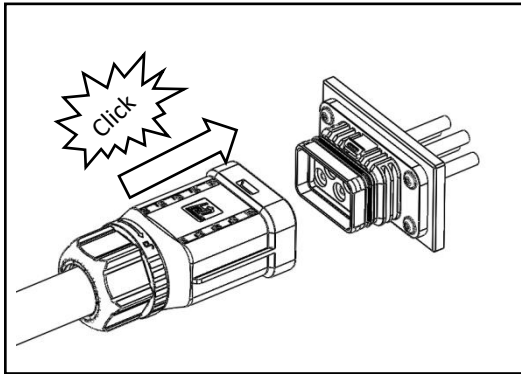
2. Insert the cable into the rubber core according to the wire sequence, make sure the insulated terminal flush with the rubber core surface, and the torque of the crimping screwdriver is  $2.0 \pm 0.1\text{N} \cdot \text{m}$



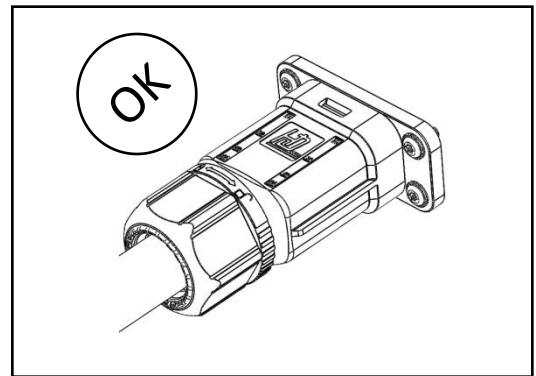
3. Insert the mainbody into the connector rubber core and hearing the "click" sound.



4. Tighten the nut with an open\_x0002\_ended wrench and complete the installation with a "click, click" sound.

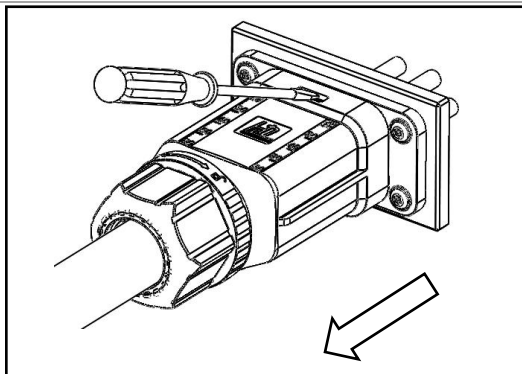


5. Insert the female cable end connector into the male panel mount connector and hearing the "Click" sound.

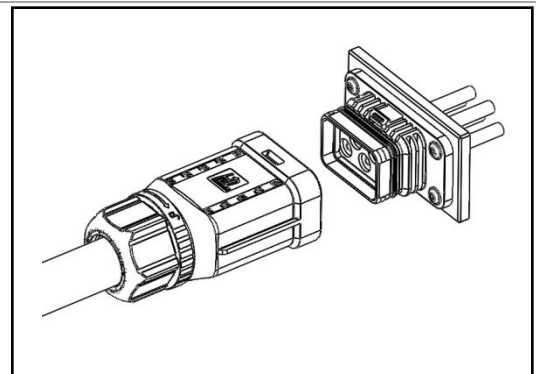


6. Complete the installation.

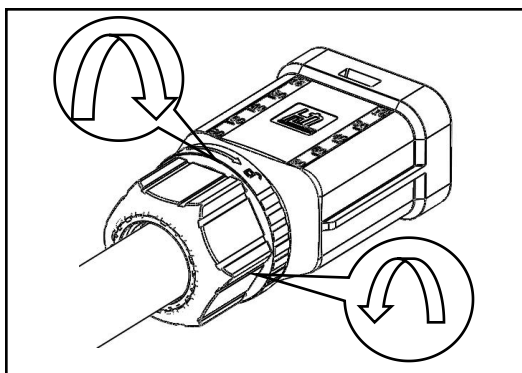
### Unlock Steps



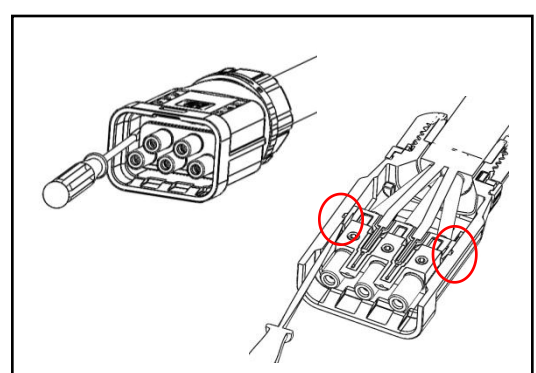
1. Press the part of unlocking position through the screwdriver, synchronously hold and pull out the female cable end connector to separate the female and male connectors.



2. Separate the female cable end connector and male panel mount connector.



3. Hold the unlocking buckle and rotate it in the marked direction, and rotate the nut in the opposite direction with another hand.



4. Use a screwdriver to peel off the part cycled in red color as shown on both sides to complete the unlock.