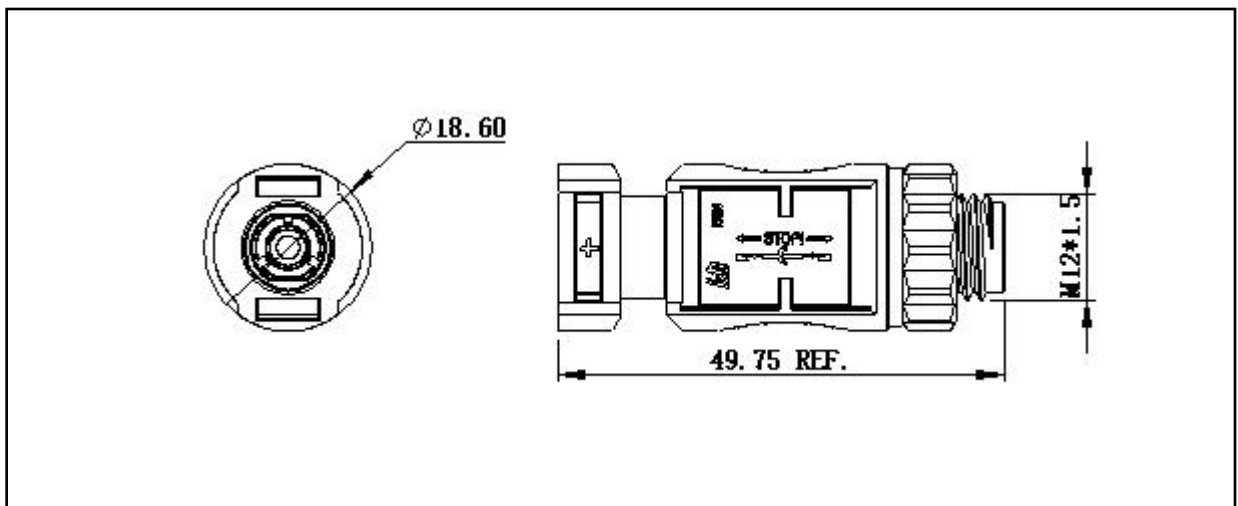
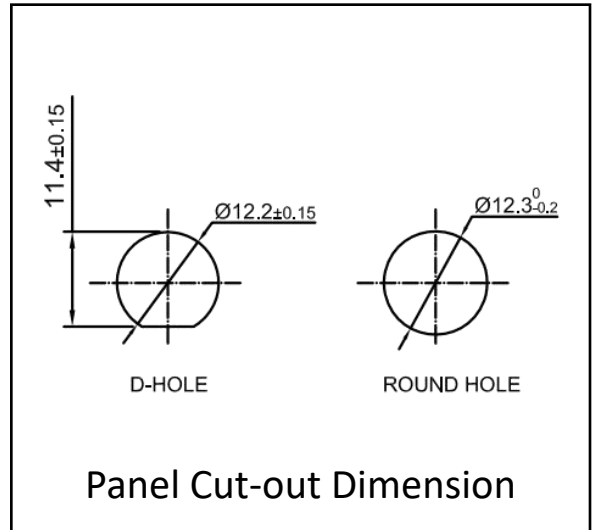
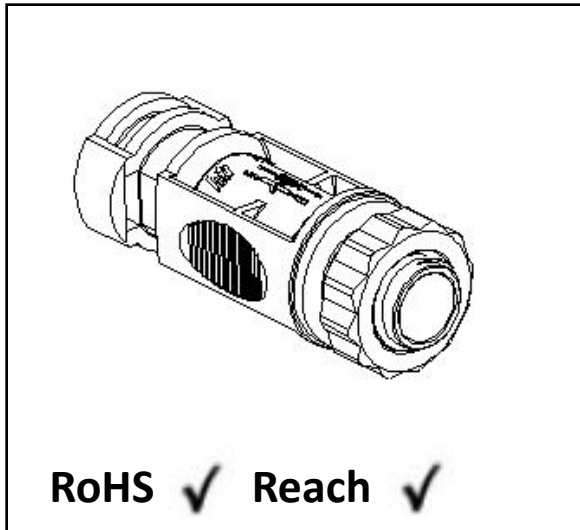


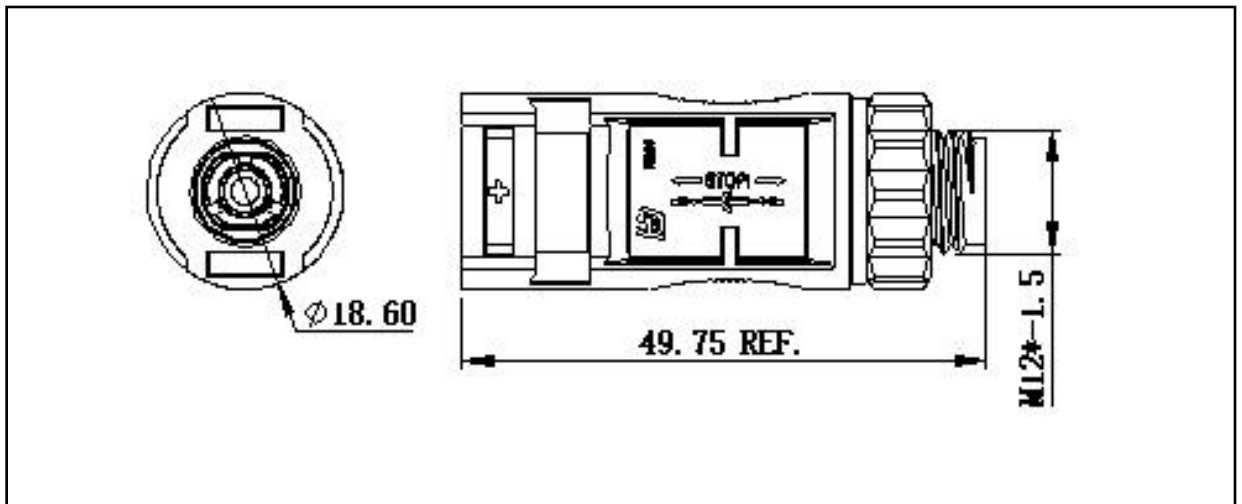
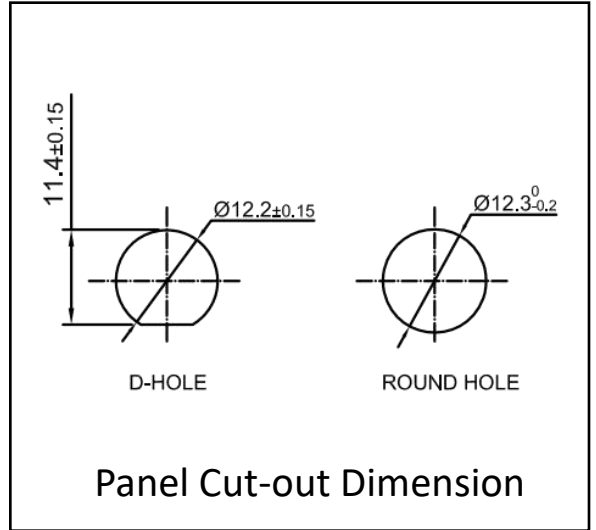
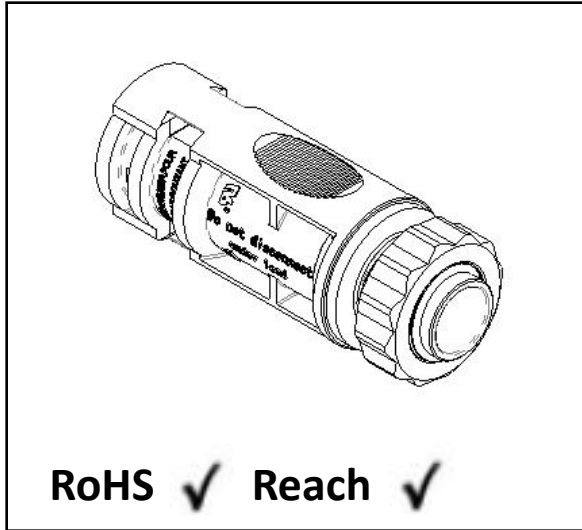
## Product Description (Non-tool unlock)



### Product Info.

Product NO.	Cut-out Type	Wire Size
10255010002	ROUND	4~6mm <sup>2</sup>
10255010004	ROUND	8AWG
10255010006	D	4~6mm <sup>2</sup>

### Product Description (Tool unlock)



Product Info.		
Product NO.	Cut-out Type	Wire Size
10255010003	ROUND	4~6mm <sup>2</sup>
10255010005	ROUND	8AWG
10255010007	D	4~6mm <sup>2</sup>

## Technical Data

### Electrical Specification

Rated Voltage	1500V DC
Rated Impulse Voltage	16KV
Rated Current	41A for 4mm <sup>2</sup> 55A for 6mm <sup>2</sup> 70A for 8AWG
Wet Insulation Resistance	≥500MΩ
Contact Resistance	≤0.4mΩ

### Mechanical Specification

Mating Cycle	≥500
PIN Retention Force	≥80N
Cable Retention Force	≥180N
Wire Size	4mm <sup>2</sup> ~8AWG (5.5mm~7.25mm)
Unlock Mode	Non-tool unlock Tool unlock
Connector Retention Force	≥ 80N
Connector Pull-Out Force	≤20 N

### Environmental Specification


Waterproof Rate	IP65/IP68 (1m,1H)
Application Temperature	-40 °C~+85°C
Flammability Level	UL94-V0

### Material

Plastic Material	PA(f1)
Pin Material	Copper Alloy,Sn Plating
Sealing Material	Silicone Rubber

## Certification/Certificate

### TUV Certification

Logo	Certification	Reference Standard	Certification No.
	TÜV Rheinland	IEC62852	R50506030

## Installation Tool



Rivet Plier



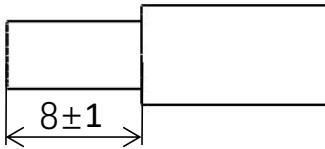
Wire Stripper



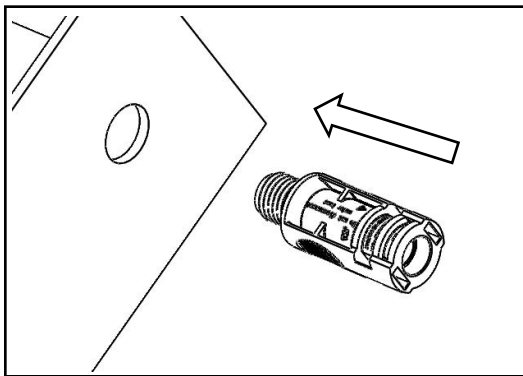
Wrench

## Installation Instructions

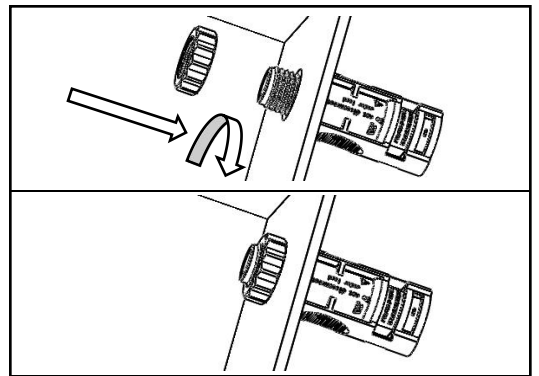
Dimension of stripping wire inside machine



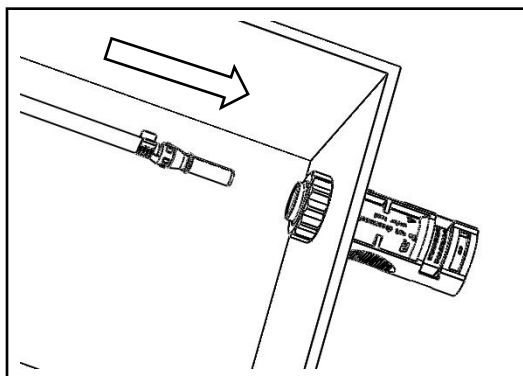
### Installation Steps



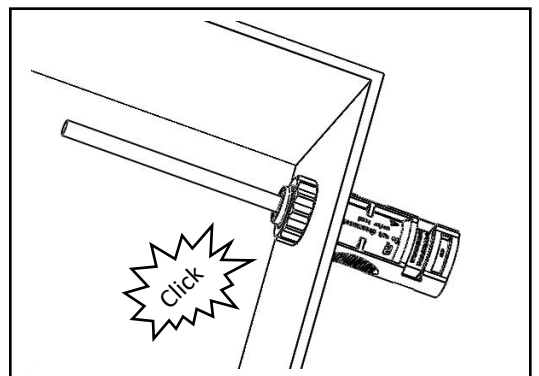
1. Assemble the panel mount positive connector on the panel hole.



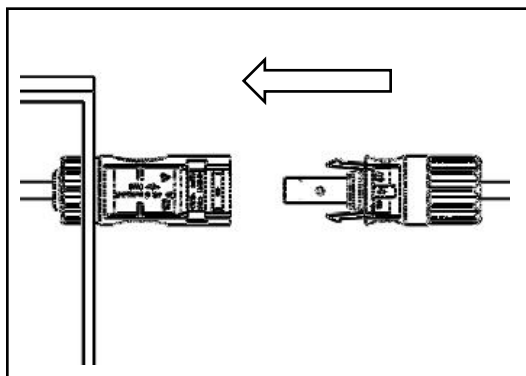
2. Clockwise tighten the nut through the wrench with torque  $3.8 \pm 0.2 \text{ N.m}$ .



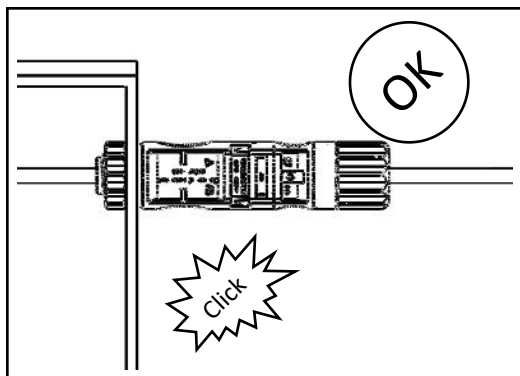
3. Crimping the stripped wire to the terminal, then insert it into the panel mount positive connector.



4. Complete the installation while hearing "Click" sound.



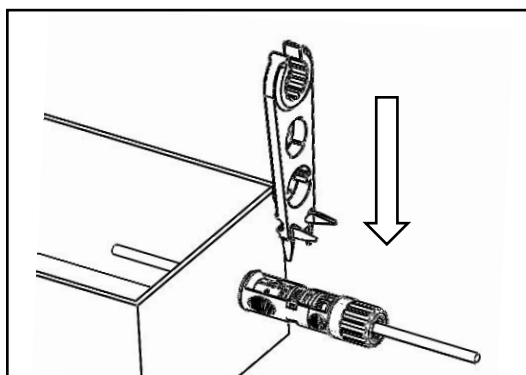
5.Insert cable end positive connector into panel mount positive connector.



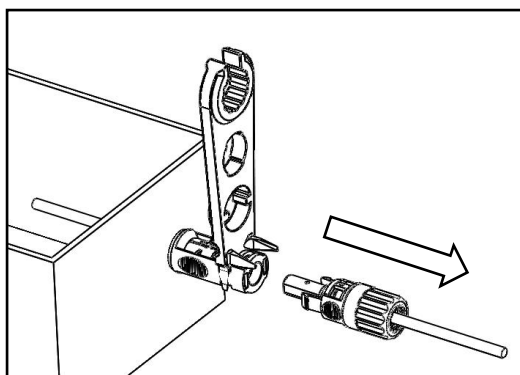
6.Complete the installation while hearing "Click" sound.

### Tool Unlock Instruction

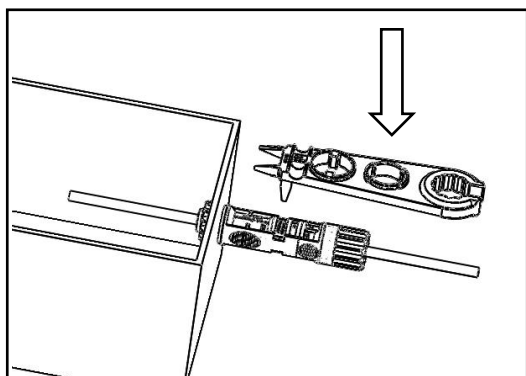
(Please use the dedicated unlock wrench as shown)



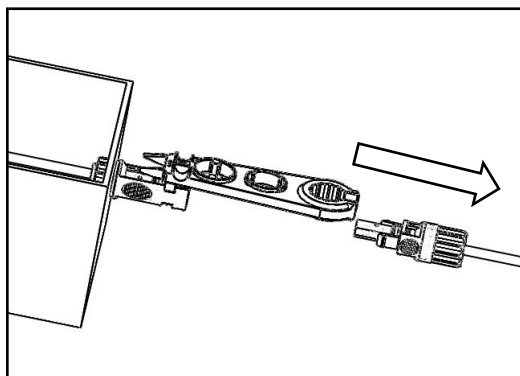
Insert the wrench pawl into the slot position of the connector rubber core.



Push the slot part to separate it with the wrench, then pull out the connector.

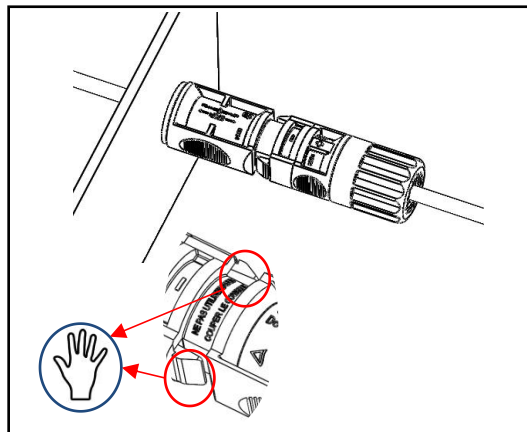


Insert the wrench pawl into the slot position of the connector rubber core.

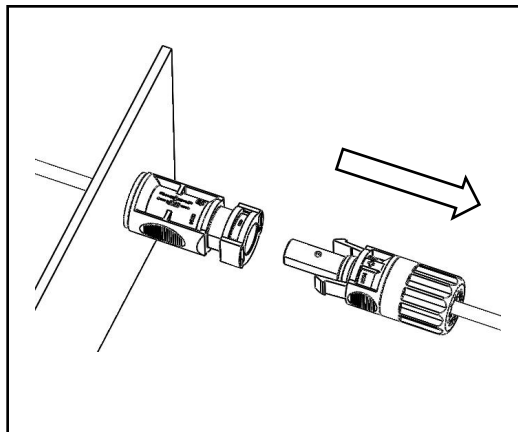


Push the slot part to separate it with the wrench, then pull out the connector.

## Unlock Instruction (Non-tool Unlock)



Hold and press the wings of the panel mount positive connector.



Then pull out the connector.