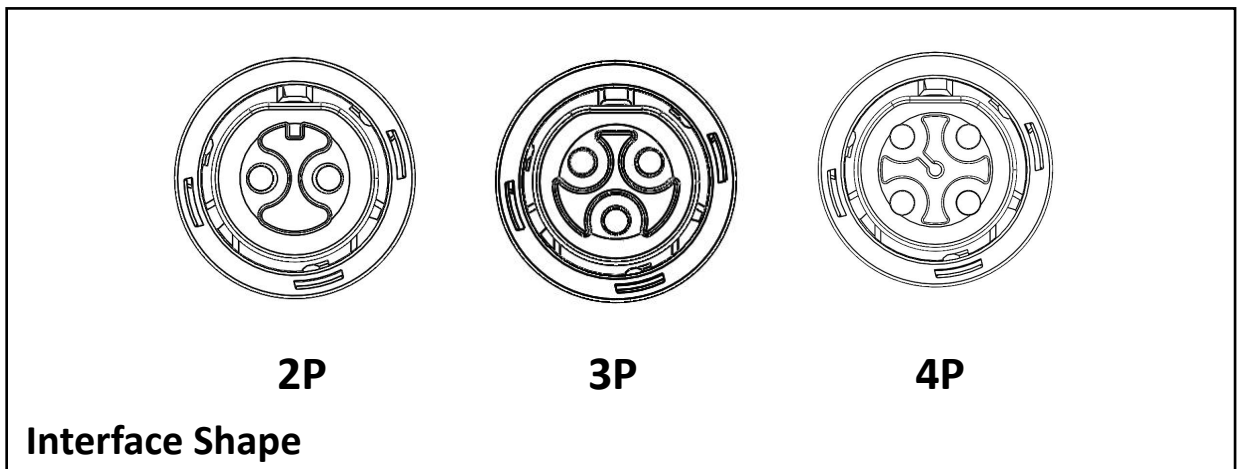
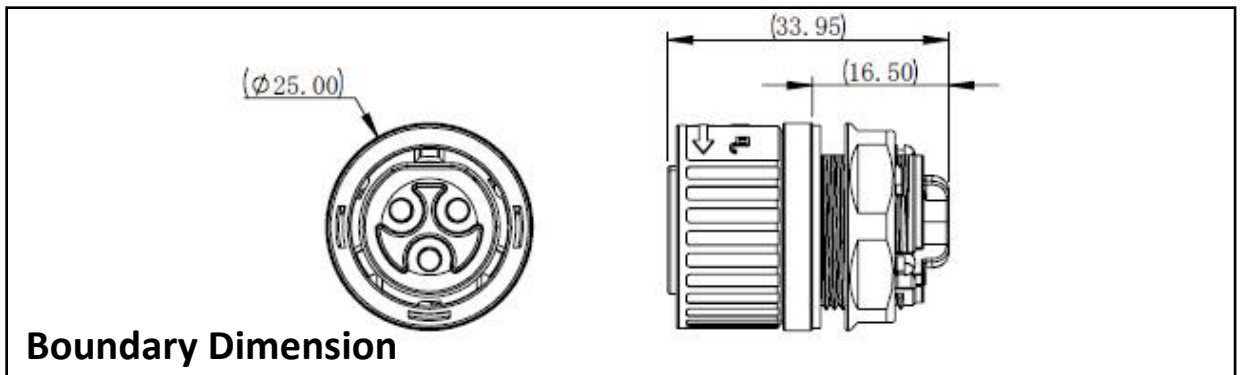
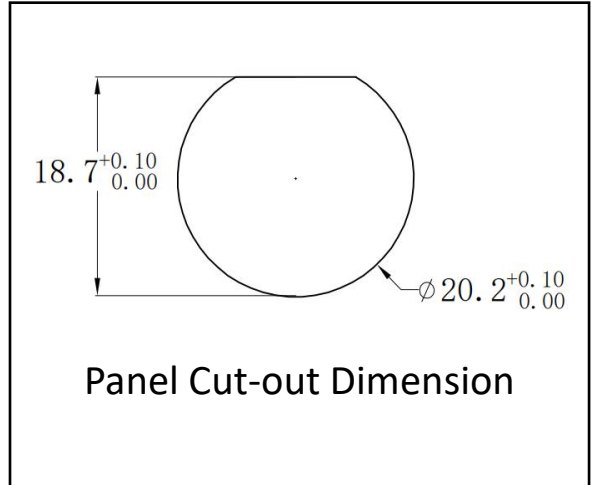
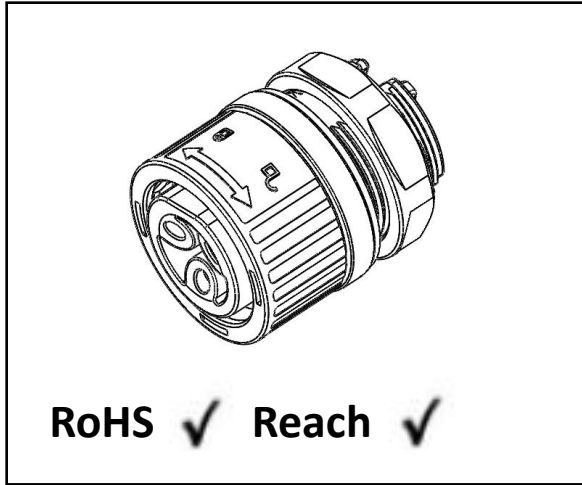


Product Description



Product Info.					
Product NO.	No. of Live Poles	Mode of connection	Terminal NO.	Wire Size	Unlocking mode
10232020001	2	Screw -locking	/	$0.5 < D \leq 4\text{mm}^2$	Non-tool unlock
10232020002		Riveting	320100053	$2.5 < D \leq 4\text{mm}^2$	
10232020003			320100057	$1.5 < D \leq 2.5\text{mm}^2$	
10232020004			320100058	$0.5 \leq D \leq 1.5\text{mm}^2$	
10232020005		/	/	/	
10232030001	3	Screw -locking	/	$0.5 < D \leq 4\text{mm}^2$	
10232030002		Riveting	320100053	$2.5 < D \leq 4\text{mm}^2$	
10232030003			320100057	$1.5 < D \leq 2.5\text{mm}^2$	
10232030004			320100058	$0.5 \leq D \leq 1.5\text{mm}^2$	
10232030005		/	/	/	
10232040001	4	Screw -locking	/	$0.5 < D \leq 4\text{mm}^2$	
10232040002		Riveting	320100053	$2.5 < D \leq 4\text{mm}^2$	
10232040003			320100057	$1.5 < D \leq 2.5\text{mm}^2$	
10232040004			320100058	$0.5 \leq D \leq 1.5\text{mm}^2$	
10232040005		/	/	/	

Technical Data

Electrical Specification

Cat No./Series No.	No. of Live Poles/Grounding	Voltage (V)	Current (A)	Rated impulse voltage	Insulation resistance	Contact resistance
HDC-32i2f3	2	TUV:600V UL:300V	TUV:32A UL:25A	4000V AC	$\geq 500M\Omega$	$\leq 5m\Omega$
HDC-32i3f3	3		TUV:32A UL:20A			
HDC-32i4f3	4		TUV:32A UL:25A			

Mechanical Specification

Mechanical life	PIN Retention Force	Wire Size	Connector Retention Force	Connector Pull-Out Force
500次	$\geq 60N$	$\leq 4\text{ mm}^2$ (12Awg)	$\geq 80N$	$\leq 20N$

Environmental Specification


IP level	Operating temperature	Flamming level
IP68 (1m1H)	$-40^{\circ}\text{C} \sim 85^{\circ}\text{C}$	UL94 V-0

Material


Plastic material	Metal material	Rubber material
PA	Copper Alloy Ag plating	Sillicone Rubber

Certification/Certificate

TUV Certification

Logo	Certification	Reference Standard	Certification No.
	TÜV SÜD	EN 61984	NO.B 1137880006

UL Certification

Logo	Certification	Reference Standard	Certification No.
	UL	UL2238	E526273

Installation Tool



Open-ended Wrench



Wire Stripper



Rivet pliers(For Insulated Terminals)

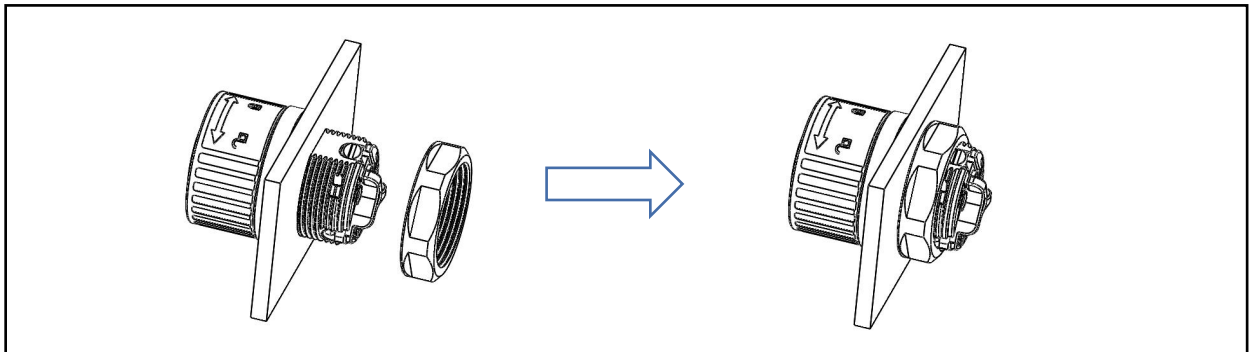
Installation Instructions

Notes:

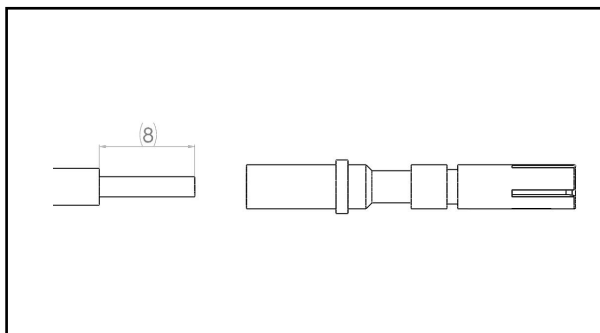
A:CAUTION: NOT FOR INTERRUPTING CURRENT” and
“ATTENTION: NE PAS UTILISER POUR COUPER LE
COURANT”

B. “Not for Current Interrupting”

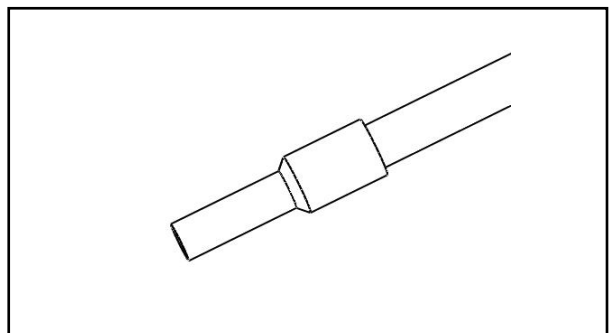
Installation Steps



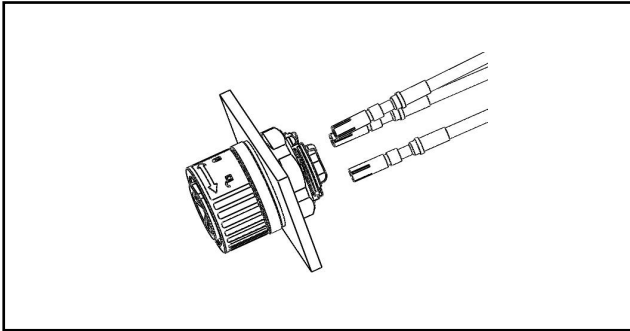
1.Tightening the panel-locking nut with $2.5\pm 0.2\text{N}\cdot\text{m}$ twisting force.



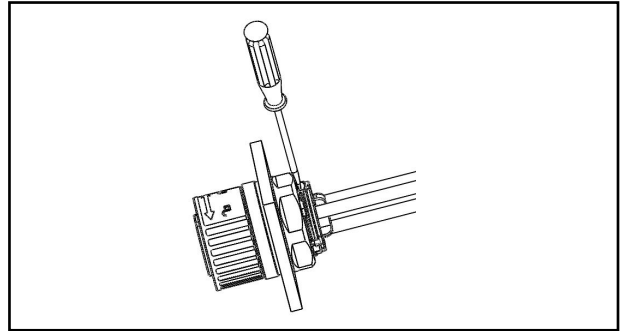
2a. Crimp the terminals with crimping tool



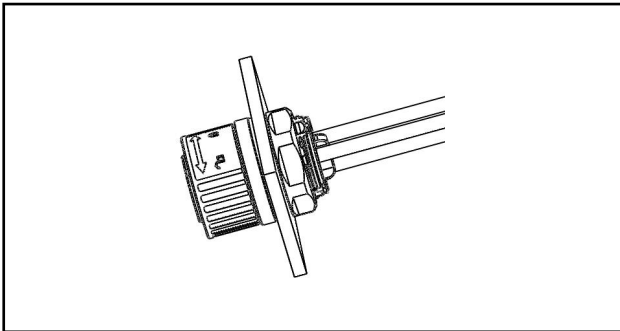
2b. Crimp the tubular insulated terminals with crimping pliers.



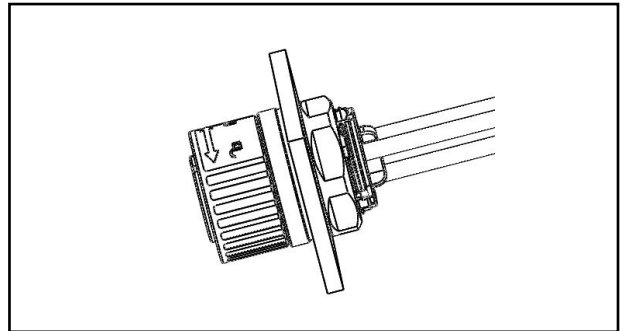
3a.Inserting the crimped wire into the corresponding terminal hole of the connector.



3b.Crimp the wire by a slotted screwdriver and screw it with the torque $1.0\pm 0.1\text{N}\cdot\text{m}$



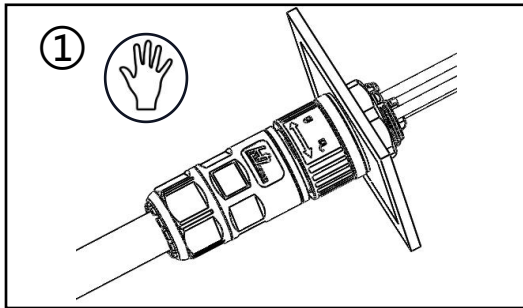
4a.Complete the Installation



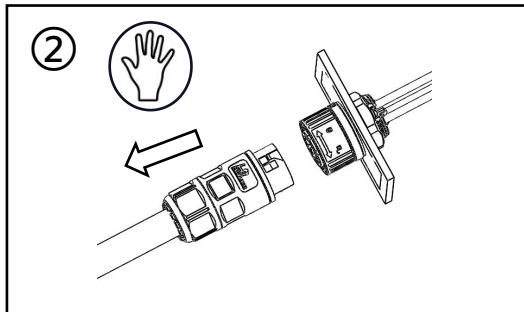
4b.Complete the Installation

Unlock instructions

Unlock Steps(Panel Mount)

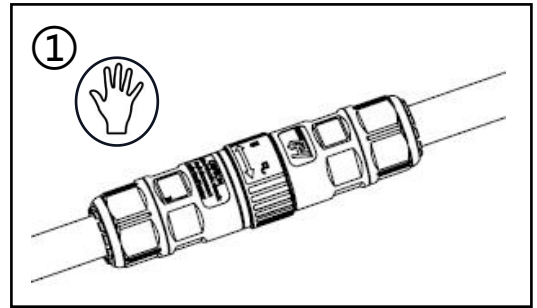


1. Rotate the latch as shown

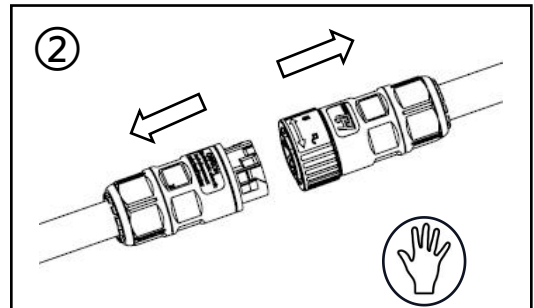


2.Remove the male cable end connector to unlock

Unlock Steps(Cable End)



1. Rotate the latch as shown



2.Remove the male cable end connector and female cable end connector to unlock