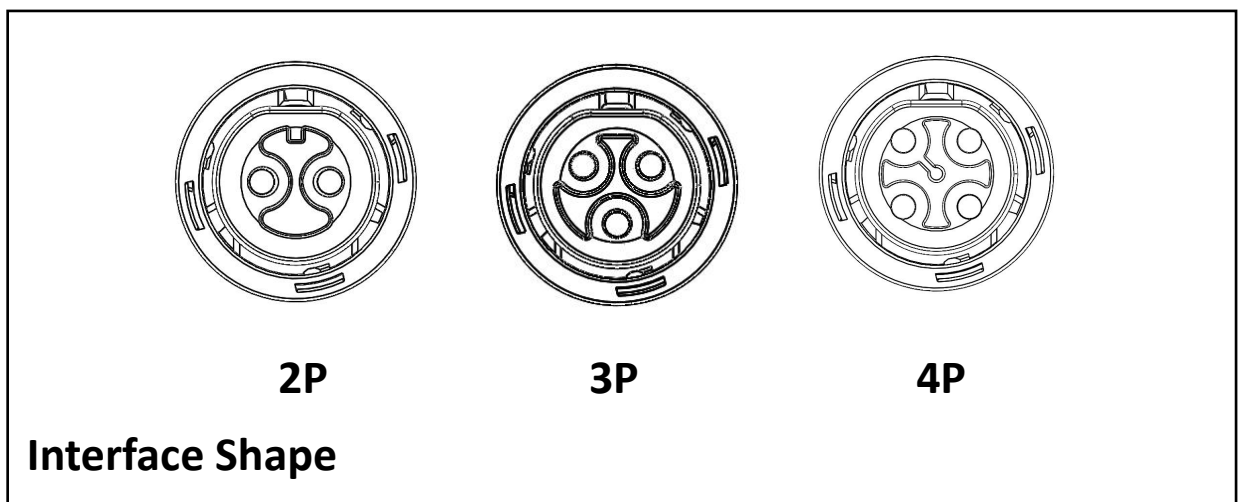
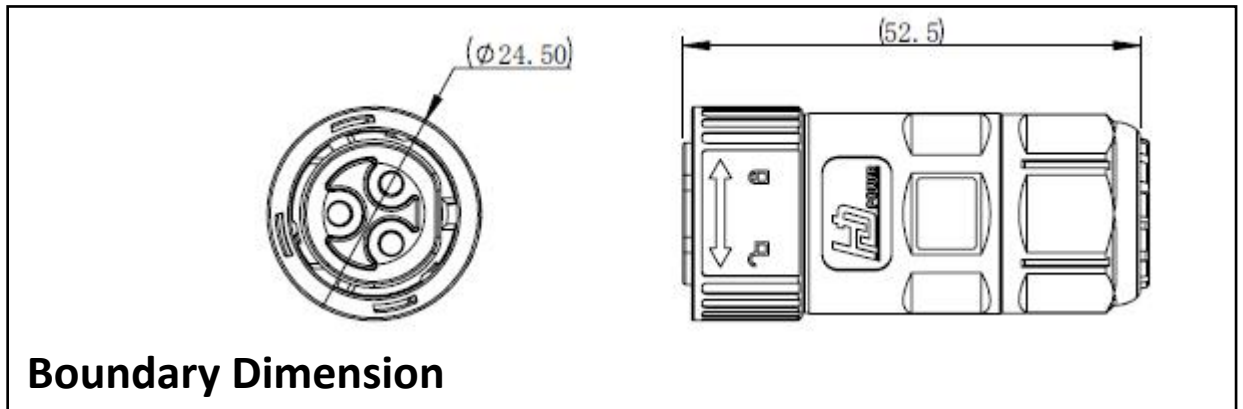
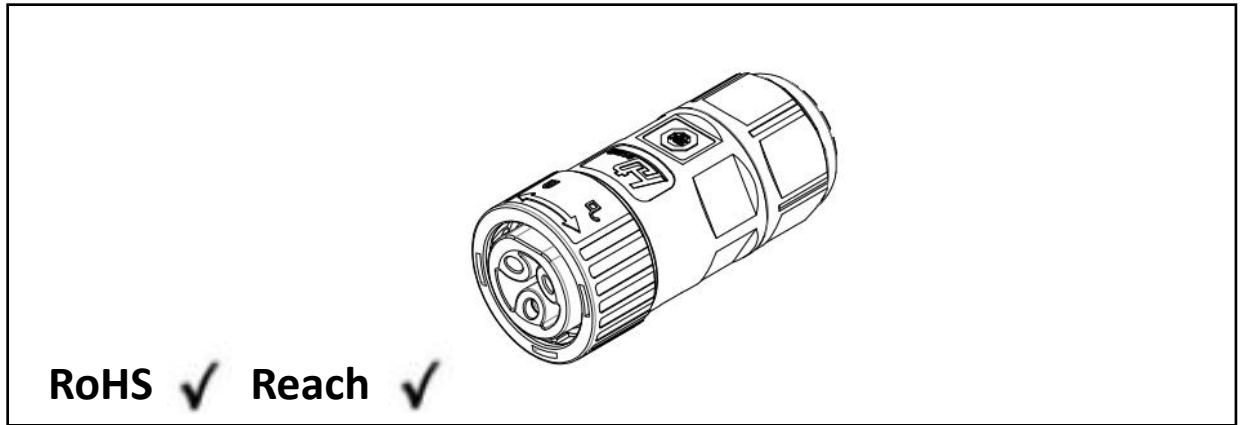


Product Description



Product Info.				
Product NO.	No. of Live Poles	Sealing Plug	Cable Diameter	Unlocking mode
10432020001	2	φ13	10.5mm < D≤12.5mm	Non-tool unlock
10432020002		φ11	8.5mm < D≤10.5mm	
10432020003		φ9	6mm < D≤8.5mm	
10432030001	3	φ13	10.5mm < D≤12.5mm	
10432030002		φ11	8.5mm < D≤10.5mm	
10432030003		φ9	6mm < D≤8.5mm	
10432040001	4	φ13	10.5mm < D≤12.5mm	
10432040002		φ11	8.5mm < D≤10.5mm	
10432040003		φ9	6mm < D≤8.5mm	

Technical Data

Electrical Specification

Cat No./Series No.	No. of Live Poles/Grounding	Voltage (V)	Current (A)	Rated impulse voltage	Insulation resistance	Contact resistance
HDC-32i2f1	2	TUV:600V UL:300V	TUV:32A UL:25A	4000V AC	$\geq 500M\Omega$	$\leq 5m\Omega$
HDC-32i3f1	3		TUV:32A UL:20A			
HDC-32i4f1	4		TUV:32A UL:25A			

Mechanical Specification

Mechanical life	PIN Retention Force	Wire Size	Connector Retention Force	Connector Pull-Out Force
500次	$\geq 60N$	$\leq 4\text{ mm}^2$ (12Awg)	$\geq 80N$	$\leq 20N$

Environmental Specification


IP level	Operating temperature	Flaming level
IP68 (1m1H)	$-40^{\circ}\text{C} \sim 85^{\circ}\text{C}$	UL94 V-0

Material


Plastic material	Metal material	Rubber material
PA	Copper Alloy Ag plating	Sillicone Rubber

Certification/Certificate

TUV Certification

Logo	Certification	Reference Standard	Certification No.
	TÜV SÜD	EN 61984	NO.B 1137880006

UL Certification

Logo	Certification	Reference Standard	Certification No.
	UL	UL2238	E526273

Installation Tool



Open-ended Wrench



Wire Stripper



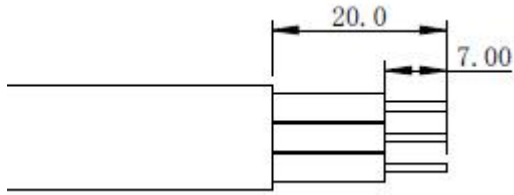
Slotted Screwdriver



Rivet pliers(For Insulated Terminals)

Installation Instructions

Dimension of stripping wire

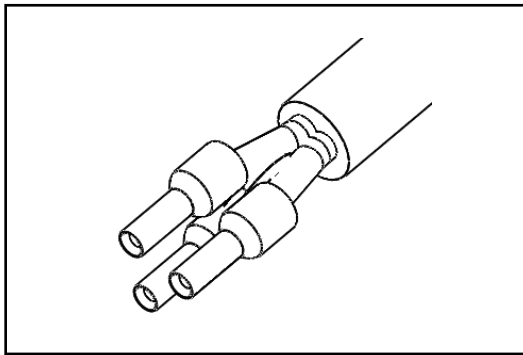


Notes:

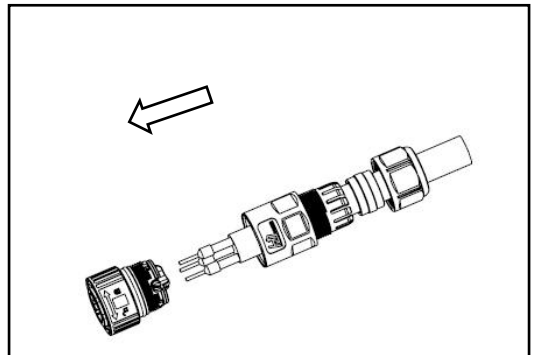
A: CAUTION: NOT FOR INTERRUPTING CURRENT” and “ATTENTION: NE PAS UTILISER POUR COUPER LE COURANT”

B. “Not for Current Interrupting”

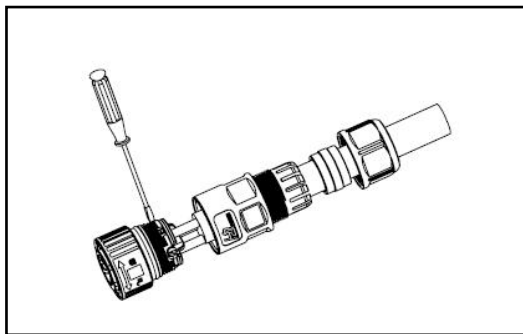
Installation Steps



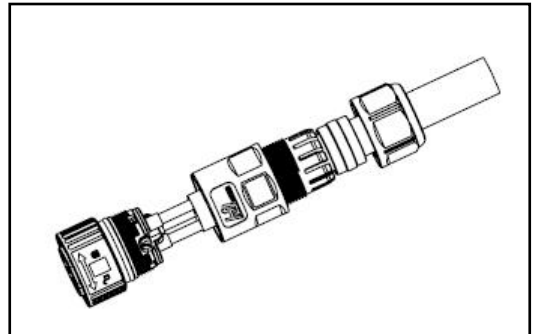
1. Crimp the terminals with crimping pliers.



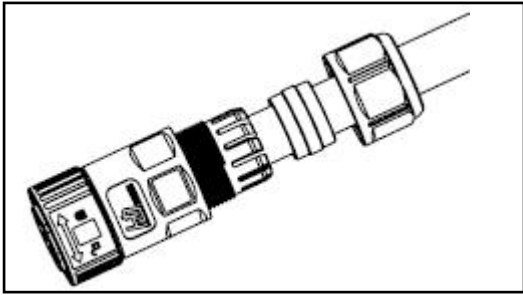
2. Assemble the parts to the cable, insert the terminals into the terminal holes in sequence.



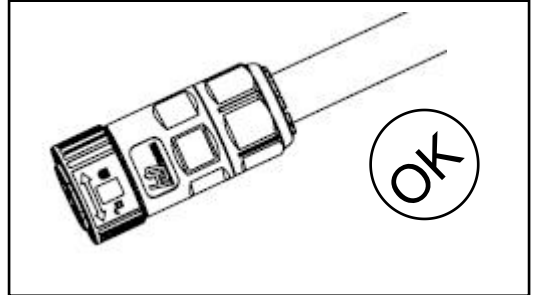
3. Crimp the wire through a slotted screwdriver with the torque $1.0 \pm 0.1 \text{ N}\cdot\text{m}$



4. Tighten the connector mainbody by an open-ended wrench with the torque $2.0 \pm 0.5 \text{ N}\cdot\text{m}$.

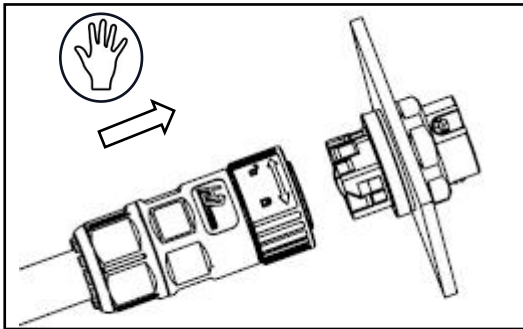


5. Tighten the nut by an open-ended wrench with the torque $2.5 \pm 0.5 \text{N}\cdot\text{m}$

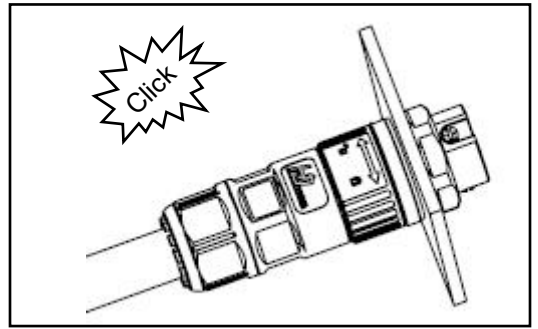


6. Complete the installation

Male and female butt (Panel Mount End)

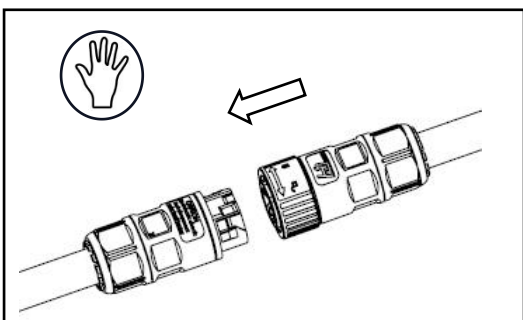


Follow the arrow to insert the female cable end connector

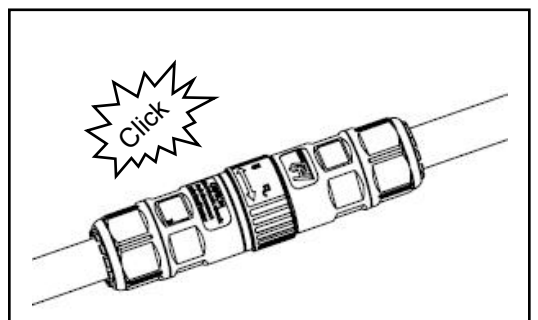


Complete the installation

Male & female connection (Cable end)

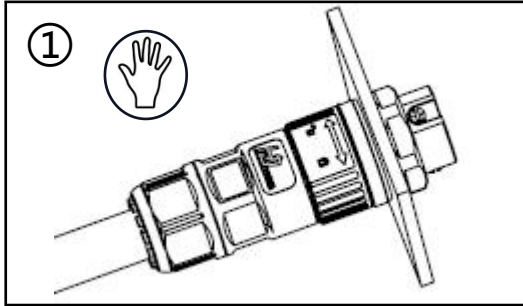


Follow the arrow to insert the female cable end connector

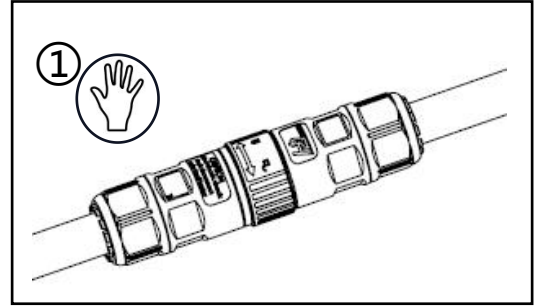


Complete the installation

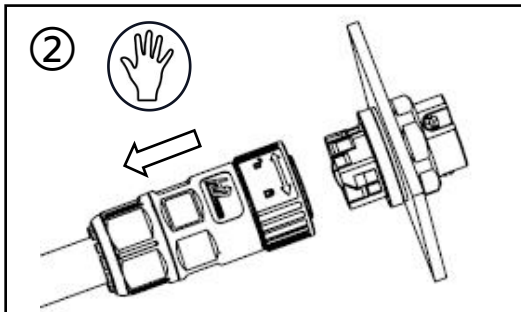
Unlock Instructions



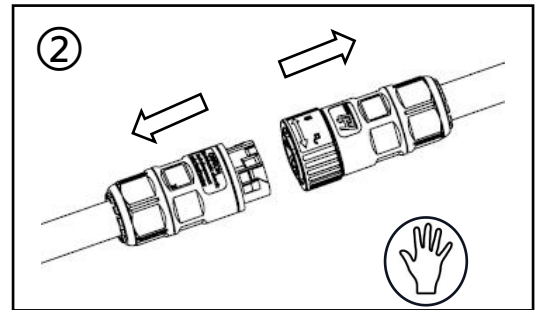
Rotate the latch as shown



Rotate the latch as shown



Remove the female cable end connector to unlock.



Remove the male cable end connector and female cable end connector to unlock.